



K Mix
Mortars and Plasters

A range of dry bagged construction mortars and
plasters



www.K-Mix.co.uk

Contents

01 | GP Mortar

02 | GP Mortar Coloured

03 | Thin Bed Mortar

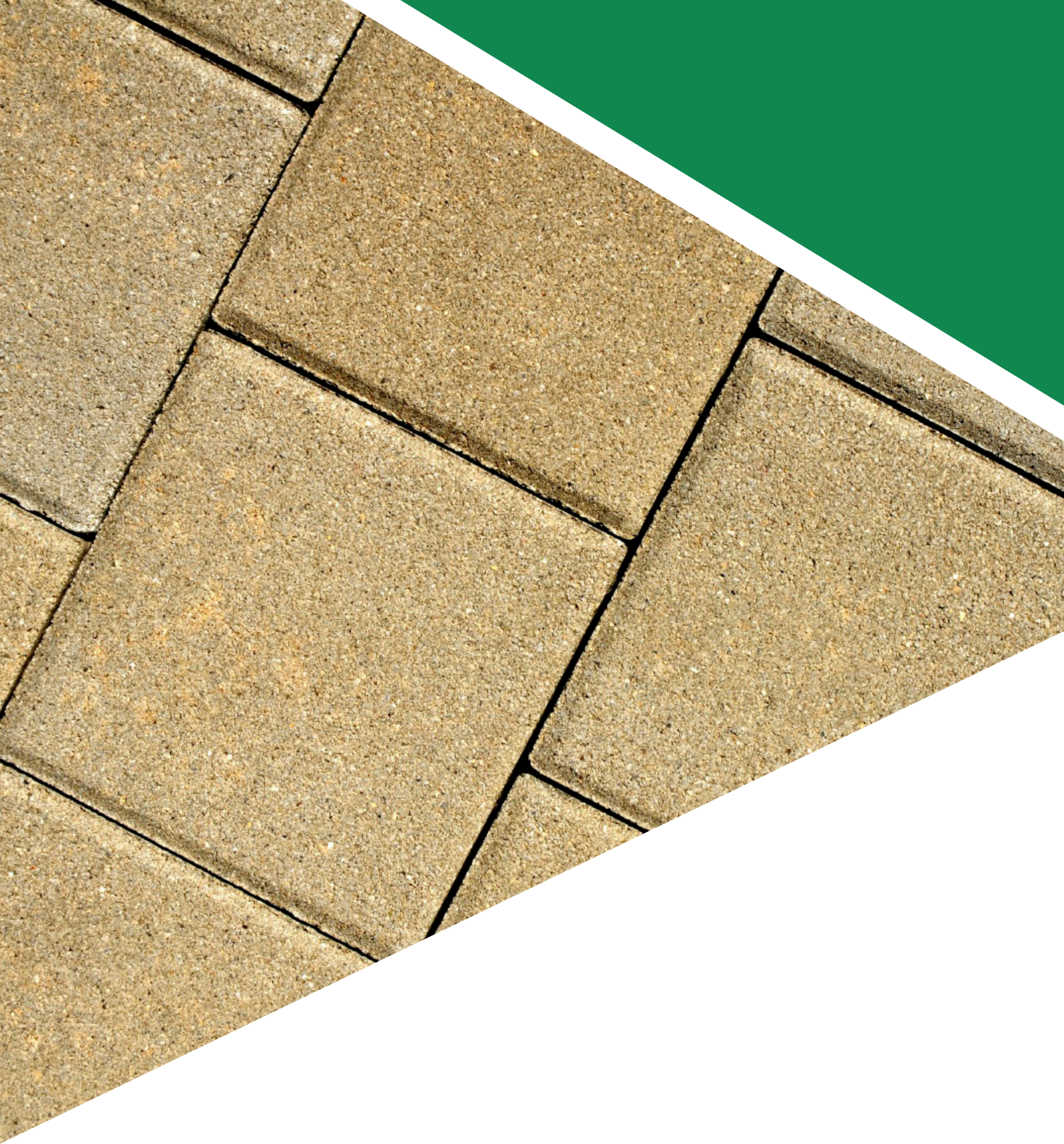


04 | K Mix Damp Resistant Plaster

05 | K Post

06 | K Mix Stone Cladding Adhesive





A range of **dry bagged** construction mortars and plasters

Quality

The K Mix range is manufactured in accordance to ISO 9001 certified processes and carries the British Standards Institute Kitemark® licence. The Kitemark® is the world's premier symbol of trust, integrity and quality ensuring that vital product safety and performance requirements are met. BS EN 998 is a British and European Standard entitled 'Specification for Mortar for Masonry'. Achieving a kitemark to BS EN998 for the majority of the K Mix range is your guarantee that K Mix has satisfied the most rigorous of quality testing processes.

Environment

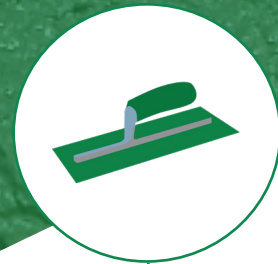
Pride is taken in product innovation, however the impact on the environment is also important. Environmental considerations are an integral part of business practice. Therefore, in manufacturing the K Mix range, care has been taken to ensure from the earliest stages of product design through to manufacturing that modern technologies have been utilised to help to reduce its carbon footprint.

Which K Mix Mortar Product Should I Use?

	Kite-marked	Standard Block	Brick	Scratch coat	Light weight Block
K Mix GP Mortar	✓	✓	✓	✓	
K Mix GP Mortar Coloured	✓	✓	✓		
K Mix Thin Bed Mortar	✓				✓

01 | **K Mix GP Mortar** is a general purpose mortar designed for laying blocks or bricks. It can also be used as a scratch coat plaster for internal and external work, as a bedding for pavia and as a rubbed up finish suitable for external painting.

Quality Assured Manufacturing Process
BS EN ISO 9001:2015



Rendering & Plastering

K Mix GP Mortar can be spray or hand applied.

Hand application coverage:

1.8kg / mm thick / m²
approx. 55 m² per tonne

Requires:

14-18kg / per m²
approx. 8-10mm thickness

Machine application coverage:

1.5kg / mm thick / m²
approx. 66 m² per tonne for 10mm thickness

Requires:

12-15kg / per m²
approx. 8-10mm thickness

Workable Life: 4hrs 28mins

Capillary Water Absorption: W2

Compressive Strength: CS III

Adhesion: 0.28 N/mm² (FP - a)

Water Vapour Permeability: $\mu \leq 15$

Dry Bulk Density: 1400 kg/m³

Thermal Conductivity:

(\wedge 10, dry) P = 50% - 0.43 W/mK (tab. value)

Durability: (against freeze-thaw): based on provisions valid in UK & Ireland

Air Content: 29%

Reaction to fire: Class A1

Key Features

- ▶ Can be machine or hand applied
- ▶ On site, add clean water and mix for 5 minutes
- ▶ Workable and easy to use
- ▶ 25kg bags for convenient on site handling
- ▶ Reduced wastage over bulk materials



Block Laying

K Mix GP Mortar can be used for laying blocks.

Blocks laid on edge coverage:

1.8kg / mm thick / m²
approx. 500 blocks per tonne

Requires:

14-18kg / per m²
approx. 15-18mm thickness

Blocks laid on flat coverage:

1.8kg / mm thick / m²
approx. 280 blocks per tonne

Requires:

60-70kg / per m²
approx. 15-18mm thickness

Workable Life:

4hrs 28mins

Content of chloride:

0.02%

Density:

1400 kg/m³

Compressive Strength:

Category M 5

Initial shear strength:

0.15 N/mm² (tab. value)

Water Absorption:

0.17 kg/(m².min^{0.5})

Water Vapour Permeability:

μ 5/20

Dry Bulk Density:

1400 kg/m³

Thermal Conductivity:

(λ 10,dry) P = 50% - 0.43 W/mK (tab. value)

Durability:

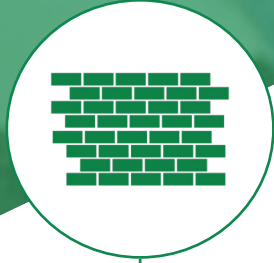
(against freeze-thaw):based on provisions valid in UK & Ireland

Air Content:

29%

Reaction to fire:

Class A1



Brick Laying

K Mix GP Mortar can be used for laying bricks.

Brick size 215x102x65 coverage:

1.8kg / mm thick / m²
approx. 1300 bricks per tonne

Requires:

40-50kg / per m²
approx. 15-18mm thickness

Brick size 215x102x73 coverage:

1.8kg / mm thick / m²
approx. 1200 bricks per tonne

Requires:

40-50kg / per m²
approx. 15-18mm thickness

Workable Life:

4hrs 28mins

Content of chloride:

0.02%

Density:

1400 kg/m³

Compressive Strength:

Category M 5

Initial shear strength:

0.15 N/mm² (tab. value)

Water Absorption:

0.17 kg/(m².min^{0.5})

Water Vapour Permeability:

μ 5/20

Thermal Conductivity:

(λ 10,dry) P = 50% - 0.43 W/mK (tab. value)

Durability:

(against freeze-thaw):based on provisions valid in UK & Ireland

Air Content:

29%

Reaction to fire:

Class A1



Bedding for Pavia

K Mix GP Mortar can be used to bed pavia.

Coverage:

1.8kg / mm thick / m²
20-25 m² per tonne

Requires:

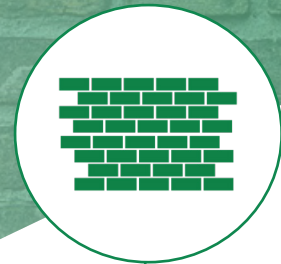
35-55kg / per m²
approx. 20-30mm thickness



02 | K Mix GP Mortar Coloured

is a coloured general purpose mortar for laying bricks and blocks. The colour range available can be used to match or contrast with most bricks and are suitable for modern and traditional buildings.

Quality Assured Manufacturing Process
BS EN ISO 9001:2015



Brick Laying

K Mix GP Mortar Coloured can be used for laying bricks.

Brick size 215x102x65 coverage:

1.8kg / mm thick / m²
approx. 1200 bricks per tonne

Requires:

40-50kg / per m²
approx. 15-18mm thickness

Brick size 215x102x73 coverage:

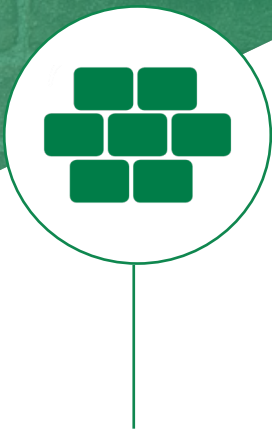
1.8kg / mm thick / m²
approx. 1100 bricks per tonne

Requires:

40-50kg / per m²
approx. 15-18mm thickness

Key Features

- ▶ Only mix as required or as the weather permits
- ▶ Requires only the addition of water
- ▶ Workable and easy to use
- ▶ 25kg bags for convenient on site handling
- ▶ Reduced wastage over bulk materials



Block Laying

K Mix GP Mortar Coloured can be used for laying blocks.

Blocks laid on edge coverage:

1.8kg / mm thick / m²
approx. 500 blocks per tonne

Requires:

14-18kg / per m²
approx. 15-18mm thickness

Blocks laid on flat coverage:

1.5kg / mm thick / m²
approx. 280 blocks per tonne

Requires:

60-70kg / per m²
approx. 15-18mm thickness

For brick laying & block laying

Workable Life: 4hrs 28mins

Content of chloride: 0.02%

Density: 1400 kg/m³

Compressive Strength: Category M 5

Initial shear strength: 0.15 N/mm²
(tab. value)

Water Absorption: 0.17 kg/(m².min^{0.5})

Water Vapour Permeability: μ 5/20

Dry Bulk Density: 1400 kg/m³

Thermal Conductivity:

(λ 10,dry) P = 50% - 0.43 W/mK (tab. value)

Durability: (against freeze-thaw):based on provisions valid in UK & Ireland

Air Content: 29%

Reaction to fire: Class A1

Colour

Samples of K Mix GP Mortar Coloured are provided on request, for colour indication only.

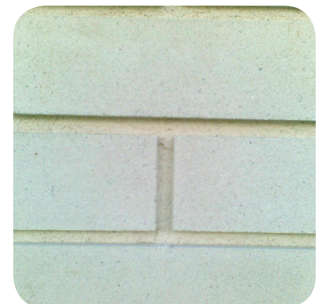
A site sample is recommended to ensure that the specifier is satisfied with the mortar colour.

K Mix materials are manufactured from natural products, slight shade variations may occur.

All full colour illustrations shown in this brochure are as accurate as the printing process will allow. We recommend colours be verified against K Mix samples before ordering.



Armagh Grey



Antrim White



Tyrone Pine



Belfast Brown

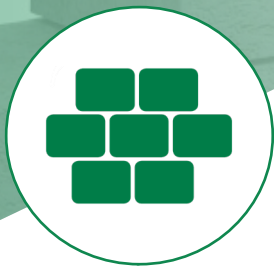


Down Red



Quality Assured
Manufacturing Process
BS EN ISO 9001:2015

03 | K Mix Thin Bed Mortar
is designed for aircrete block
and other fast track building
systems. It is factory produced
to provide excellent consistency
and colour uniformity.



Block laying

K Mix Thin Bed Mortar can be used for aircrete block and other fast track building systems.

Block size 610x215x100

Block laid on edge coverage:

1.45kg / mm thick / m²
approx. 2000 blocks built per tonne

Requires:

2mm joint thickness

Block size 610x100x215

Block laid on flat coverage:

1.45kg / mm thick / m²
approx. 4000 blocks built per tonne

Requires:

2mm joint thickness

Block size 440x215x100

Block laid on edge coverage:

1.45kg / mm thick / m²
approx. 2500 blocks built per tonne

Requires:

2mm joint thickness

Block size 440x100x215

Block laid on flat coverage:

1.45kg / mm thick / m²
approx. 5000 blocks built per tonne

Requires:

2mm joint thickness

For Blocklaying

Workable Life: 2hrs 40mins

Content of chloride: 0.02%

Density: 1450 kg/m³

Compressive Strength: Category M 5

Initial shear strength: 0.3 N/mm² (tab. value)

Water Absorption: 0.23 kg/(m².min^{0.5})

Water Vapour Permeability: μ 5/20

Thermal Conductivity:

(λ 10,dry) P = 50% - 0.45 W/mK (tab. value)

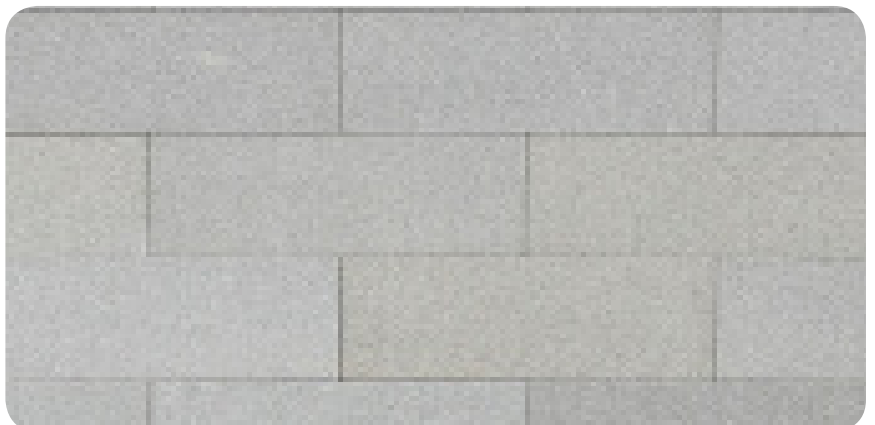
Durability: (against freeze-thaw):based on provisions valid in UK & Ireland

Air Content: 21%

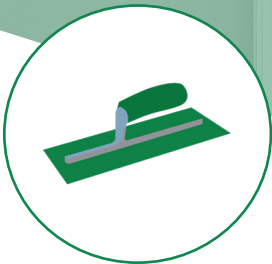
Reaction to fire: Class A1

Key Features

- ▶ Add water and mix for 5 minutes
- ▶ Easy to use. Ideal for fast builds
- ▶ Reduced wastage over bulk materials
- ▶ 25kg bags for convenient on site handling



04 | K Mix Damp Resistant Plaster is a renovation plaster used to control salt migration and dampness in walls.



Plastering

K Mix Damp Resistant plaster is designed for internal use to control salt migration and allow walls to dry.

Coverage:

Approx. 1.25kg / mm thick / m²
Approx. 25kg / m²
Nominal 20mm thickness
23kg bags

Appearance: off-white in colour

Packaging: 23kg bags

Compressive Strength: CS II

Adhesion: > 0.2 N/mm²

Thermal Conductivity: 0.31 W/mK

Reaction to fire: Class A1

Water Vapour Permeability: $\mu \leq 15$

Dry Bulk Density: 1100 kg / m³

Water Absorption: > 0.3 kg / m² (after 24hr)



Internal Plastering

Overview

K Mix Damp Resistant Plaster is designed to be applied to salt contaminated walls following the installation of a damp proof course and has a porous structure to allow walls to dry out by evaporation. K Mix Damp Resistant Plaster is normally applied in two coats as a backing for skim and paint finishes and requires only the addition of water and 10 minutes mixing time prior to use.

Quality Assured
Manufacturing Process
BS EN ISO 9001:2015

Key Features

- ▶ Breathable internal plaster
- ▶ Suitable for use on salt and damp contaminated walls
- ▶ Workable and easy to use
- ▶ Allows walls to dry naturally



05 | **K Post** is a rapid setting concrete for securing metal, wood and concrete posts.

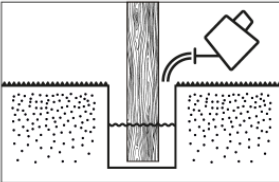
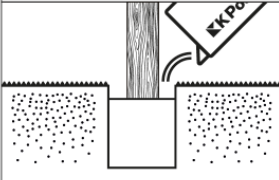
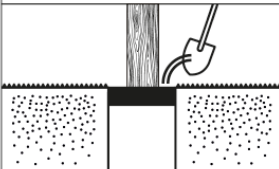


External Use

K Post is designed for use externally. K Post should not be used if the temperature drops below 5°C. K Post should only be used between 5°C and 30°C.

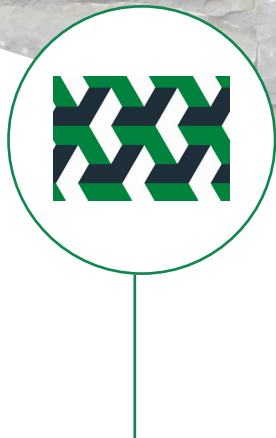
Key Features

- ▶ Fast setting
- ▶ Ready to use
- ▶ Easy to use
- ▶ Reduced wastage over bulk materials
- ▶ 25kg bags for convenient on site handling

	Dig a hole to the desired size, position the post in the hole then fill halfway with water.
	Pour K POST evenly around the post, filling the hole.
	Tap the setting surface to remove any air bubbles and cover with soil. K POST will set in 5 to 10 minutes.



06 | K Mix Stone Cladding Adhesive is a cement based, polymer modified adhesive for fixing stone cladding & tiling to various substrates.



**Quality Assured
Manufacturing Process
BS EN ISO 9001:2015**

Stone Cladding Adhesive

K Mix Stone Cladding Adhesive is a normal setting, cement-based adhesive which is suitable for fixing stone cladding and a wide variety of tiles in exterior applications.

Coverage:

1.5kg / mm thick / m²
25kg gives you approx. 16 litres of material

Require:

Approximately 4.5 - 9 kg / m²
Nominal 3 - 6 mm bed thickness

Density: 1500 kg / m³

Key Features

- ▶ For external use
- ▶ Only requires the addition of water
- ▶ Can be applied using traditional bricklaying tools
- ▶ Easy to use. Ideal for fast builds





Mortars and Plasters

Join us on social media...



@KRenderers



/KRenderers

YouTube K Rend

www.K-Mix.co.uk